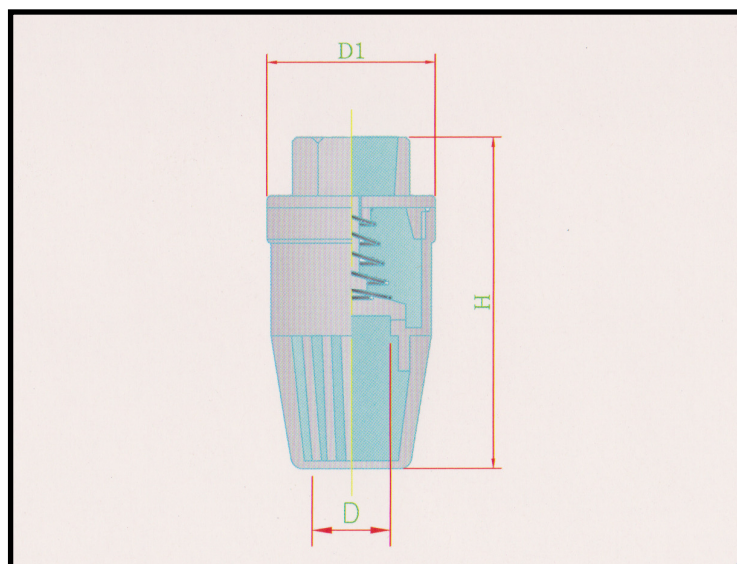


福特凡而/底閥

FOOT VALVE

不鏽鋼精密脫臘鑄造 INVESTMENT CASTING BODY



MATERIALS LIST

PART NAME	MATERIAL
CAP	S.S304
GASKET	PTFE
STEM	S.S316
SPRING	S.S304
BODY	S.S304
NET	S.S304

DIMENSIONS

SIZE	D	D1	H	Weight/kg
3/4"	20	43	94	0.35
1"	25	54	105	0.59
1-1/2"	38	69	125	0.98
2"	50	80	134	1.30
2-1/2"	63.5	97	164	2.02
3"	75	114	170	2.52