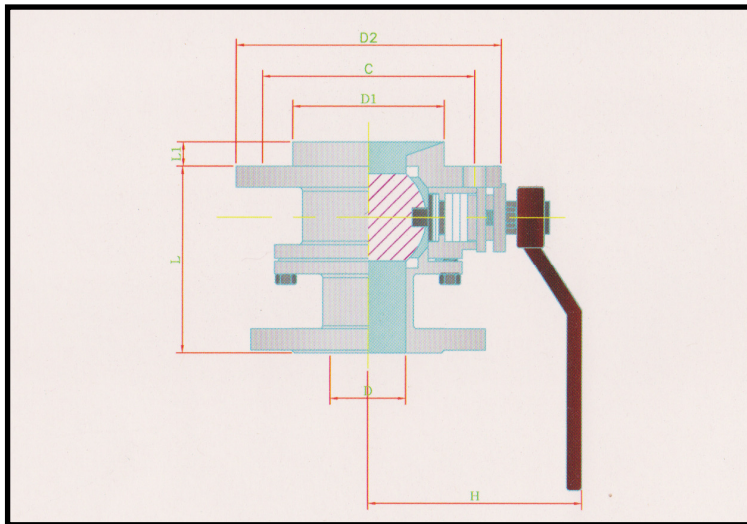
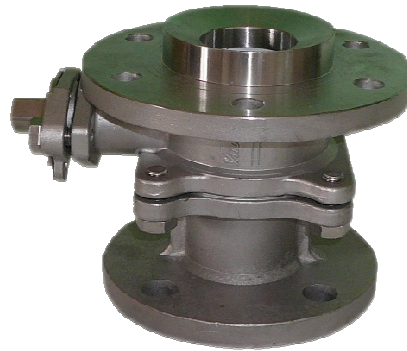


# JIS 10K 桶底球塞閥

## BALL VALVE FLANGE END

不鏽鋼精密脫臘鑄造

INVESTMENT CASTING BODY



### MATERIALS LIST

PART NAME	MATERIAL
HANDLE	FC20
STEM	S.S304 / S.S316
SNAP RING	S.S304
STOPPER	S.S304
GLAND	S.S304
STEM PACKING	PTFE
THRUST WASER	PTFE
BALL	S.S304 / S.S316
BODY	S.S304 / S.S316
SEAT	PTFE
CAP	S.S304 / S.S316
GASKET	PTFE

### DIMENSIONS

SIZE	D	L	H	L1	D1	D2	C	Weight/kg
1"	25	100	94	9	55	135	100(15*4)	
1-1/2"	38	125	130	17	72	155	120(15*4)	6.35
2"	50	133	138	18	90	175	140(15*6)	8.10
2-1/2"	65	143	165	20	102	195	160(19*6)	12.2
3"	80	150	170	25	140	250	210(19*6)	16.10